

JAN GARNCAREK DESIGN

tel. +48 600-441-308 / e-mail: jangarncarekdesign@gmail.com
pl. Konfederacji 56, 01-834 Warsaw, Poland / NIP: PL1181947234



name: Pfaffikon

category: sconce

type: 202201

composition: marble, brass (waxed), glass

reference: The sconce is the first lamp that its designer made in stone. It consists of a marble collar subtly emerging from the wall and a topping semi sphere made from brass from under which the light comes out. The idea was born during a trip through Switzerland and the first sketches were made near a town named Pfaffikon. The lamp is also available in version made entirely from casted brass.

production: handcrafted

dimensions:

25 cm width x 46 cm height x 12 cm depth

10 in width x 18 in height x 5 in depth
(tolerance: 0,5 cm / 0,2 in)

weight: 7 kg / 33 lb

voltage: 120V, 240V

lamping: 1 X 12 W dimmable LED module

lumens: 1000 lm

color temperature: 2700 K

led driver: onboard

tightness class: IP 21

certificates: CE approved, RoHS

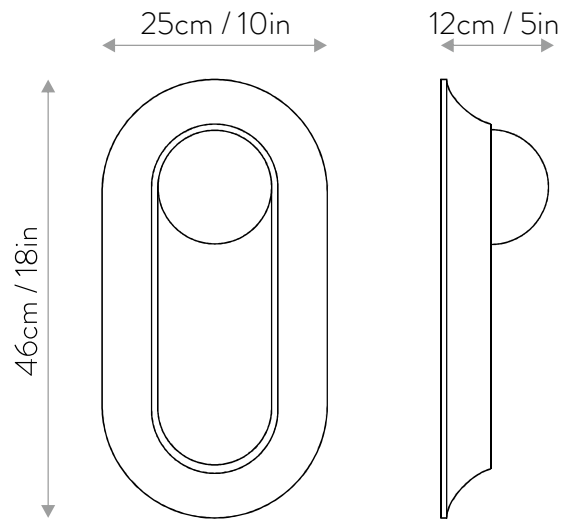
price: 5200 euro / 5130 usd

lead time: 8-10 weeks

payment terms: deposit 50 % upon order,
balance prior to shipping

customization: available

dimensions:



packing: 1 wooden boxes:

52 cm x 32 cm x 22 cm, total weight 9 kg

20.5 in x 13 in x 9 in, total weight 20 lb

packet contains: certificate, instructions, gloves, polishing sponge, mounting pins

attention: product made of pure brass. The material naturally tarnishes. Touching brass parts without gloves may result in finger marks. More information in our brochure "brass conservation".



