

# JAN GARNCAREK DESIGN

tel. +48 600-441-308 / e-mail: jangarncarekdesign@gmail.com  
pl. Konfederacji 56, 01-834 Warsaw, Poland / NIP: PL1181947234



**name:** Libelulla

**category:** sconce

**type:** 202202

**composition:** brass (waxed), glass

**reference:** Libellula (from Italian 'dragonfly') is a fin-shaped sconce that emerges from the wall. The sphere-shaped glass shade intersects a brass sheet and illuminates the space evenly. The slender form topped with an oval was inspired by observations of insects, to be precise by a dragonfly. Hence the name. The lamp was produced in techniques of brass casting and glass blowing.

**production:** handcrafted

**dimensions:**

12 cm width x 50 cm height x 14 cm depth

5 in width x 20 in height x 5.5 in depth  
(tolerance: 0,5cm / 0,2in)

**weight:** 7 kg / 33 lb

**voltage:** 120V, 240V

**lamping:** 1 X 12 W dimmable LED module

**lumens:** 1000 lm

**color temperature:** 2700 K

**led driver:** onboard

**tightness class:** IP21

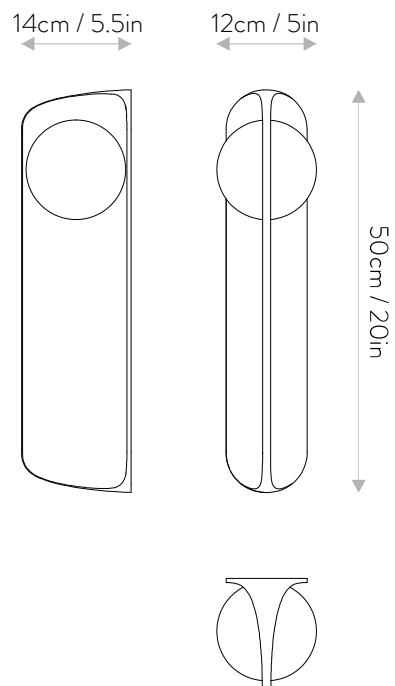
**certificates:** CE approved, RoHS

**lead time:** 8-10 weeks

**payment terms:** deposit 50 % upon order,  
balance prior to shipping

**customization:** available

**dimensions:**



**packing:** 1 wooden boxes:

22 cm x 60 cm x 22 cm, total weight 9 kg

9 in x 24 in x 9 in, total weight 20 lb

**packet contains:** certificate, instructions, gloves, polishing sponge, mounting pins

**attention:** product made of pure brass. The material naturally tarnishes. Touching brass parts without gloves may result in finger marks. More information in our brochure "brass conservation".



