

# JAN GARNCAREK DESIGN

tel. +48 600-441-308 / e-mail: jangarncarekdesign@gmail.com  
pl. Konfederacji 56, 01-834 Warsaw, Poland / NIP: PL1181947234



**nazwa:** Badyl

**category:** sconce

**type:** Sf202203

**composition:** brass, glowing glass

**reference:** Badyl is another attempt to enchant organic forms into simple geometries. The sconce looks like a three-legged being frozen in its move. The shining limbs are stretched in different directions which gives a dynamic vibe to the composition. The object blurs boundaries between what is organic and what is geometric and mechanical so that it doesn't fall in any of these categories. It doesn't try to depict anything specific; it is a mere reflection of movement and an attempt to define it.

**production:** handcrafted

**dimensions:** 24 cm / 9,5 in width x 35 cm / 14 in height x 17 cm / 7 in depth (tolerance: 0,5 cm / 0,2 in)

**weight:** 3 kg / 7 lb

**voltage:** 120V, 240V

**lamping:** 3x LED 12V DC (power supply 110-240V in additional)

**LED life:** 50 000 h

**tightness class:** IP 21

**certificates:** CE approved, RoHS

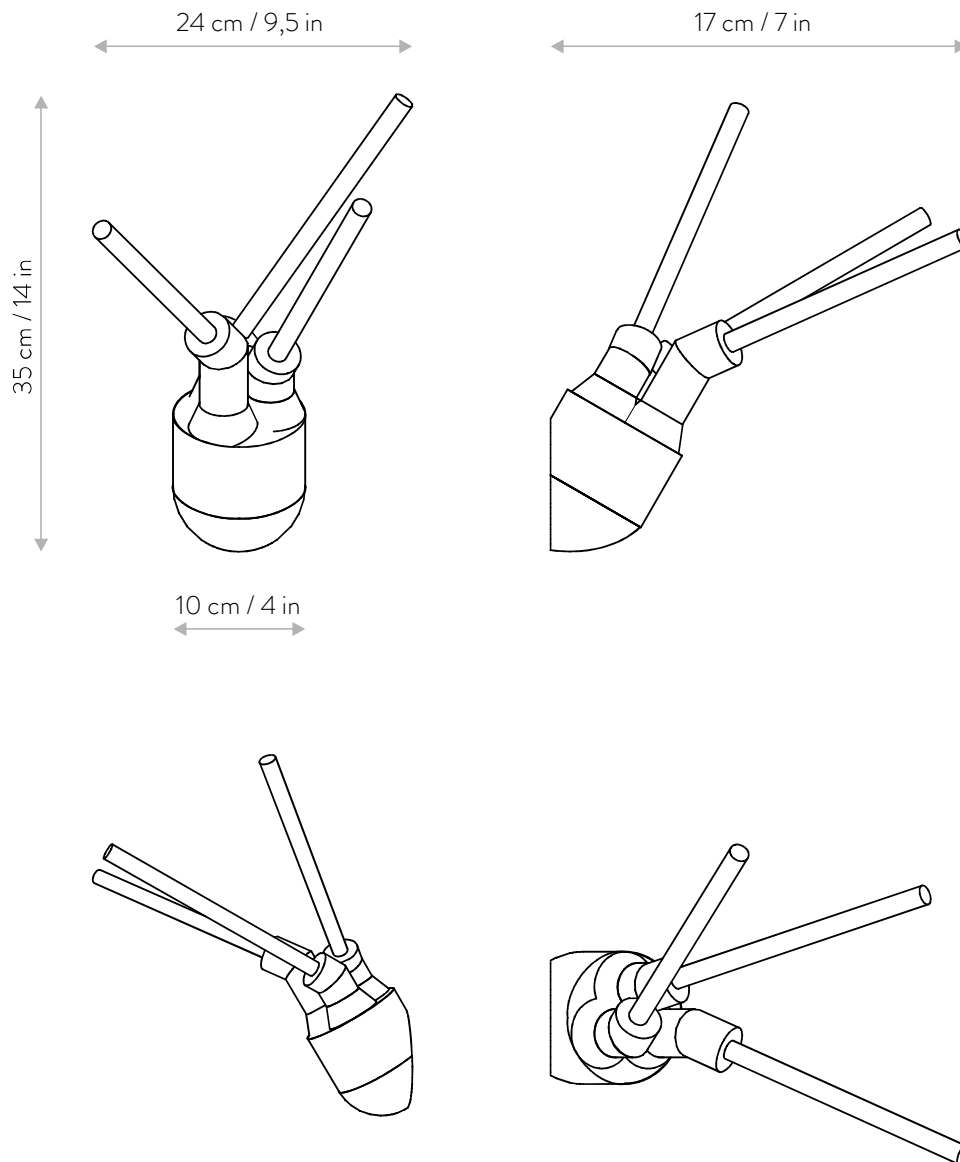
**lead time:** 13 weeks

**payment terms:** deposit 50 % upon order, balance prior to shipping

**customization:** available

**finished:** - brass, copper, nickel, black painted  
- glass

**dimensions:**



**packing:** 1 wooden boxes:

50 cm x 40 cm x 40 cm, total weight 20 kg

20 in x 16 in x 16 in, total weight 45 lb

**packet contains:** certificate, instructions, gloves, mounting pins

**attention:** product made of pure brass. The material naturally tarnishes. Touching brass parts without gloves may result in finger marks. More information in our brochure "brass conservation".

