

# JAN GARNCAREK DESIGN

tel. +48 600-441-308 / e-mail: jangarncarekdesign@gmail.com  
pl. Konfederacji 56, 01-834 Warsaw, Poland / NIP: PL1181947234



**name:** Arka

**distribution:** Studio Fenice

**category:** sconce

**type:** Sf202202

**composition:** brass, travertine

**reference:** A matt stone placed centrally is surrounded by ovoid brass plate make the sconce. Its designer aimed at juxtaposing a natural element with brass which he often uses in his works. The simple form enables to concentrate on the natural beauty of the stone's texture. The stone is highlighted by the brass outline that reflects the light coming from under the stone. This makes the stone seem as if it was emerged in a gleam. The ovoid stone hovers over the brass plate that repeats its shape. It reminds of boats drifting on the water

reflecting their shapes.

**production:** handcrafted

**dimensions:** 24 cm / 9,5 in width x 40 cm / 16 in height x 11 cm / 4,5 in depth  
(tolerance: 0,5 cm / 0,2 in)

**weight:** 6 kg / 13 lb

**voltage:** 120V, 240V

**lamping:** 8 x 16W dimmable LED module, 1700 lumens, 2700 color temperature, LED driver onboard

**LED life:** 50 000 h

**tightness class:** IP 21

**certificates:** CE approved, RoHS

**lead time:** 13 weeks

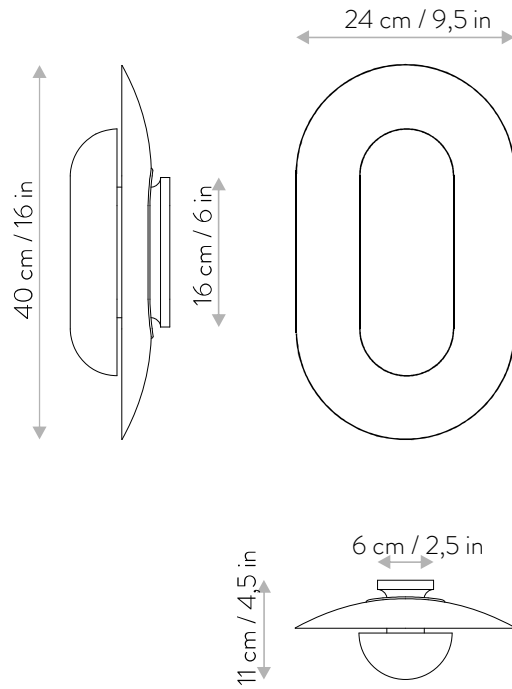
**payment terms:** deposit 50 % upon order, balance prior to shipping

**customization:** available

**finished:** - travertine, marble

- brass, copper

**dimensions:**



**packing:** 1 wooden boxes:

42 cm x 30 cm x 25 cm, total weight 7 kg

16,5 in x 12 in x 10 in, total weight 15 lb

**packet contains:** certificate, instructions, gloves, polishing sponge, mounting pins, bulb, assembly key

**attention:** product made of pure brass. The material naturally tarnishes. Touching brass parts without gloves may result in finger marks. More information in our brochure "brass conservation".



